

→  
REF. HZ-3708A  
ELECTRIC BEAUTY BED



## TECHNICAL FEATURES



Length:	190 cm
Width	
With armrest:	88 cm
Without armrest:	62 cm
Height:	59-91 cm
Weight:	75 kg
Max. Load:	200 kg
Motors:	4
Upholstery:	PU ○

## CERTIFICATIONS



- 2014/30/EU Electromagnetic Compatibility
- 2014/35/EU Low Voltage Directive

## MOTOR FUNCTIONS



- Height (flat position): 59-91 cm
- Trendelenburg: 15°
- Backrest 85° inclination
- Footrest 90° inclination

## MANUAL FUNCTIONS



- Headrest, ±18 cm extendable
- Footrest, ±18 cm extendable

## INCLUDES



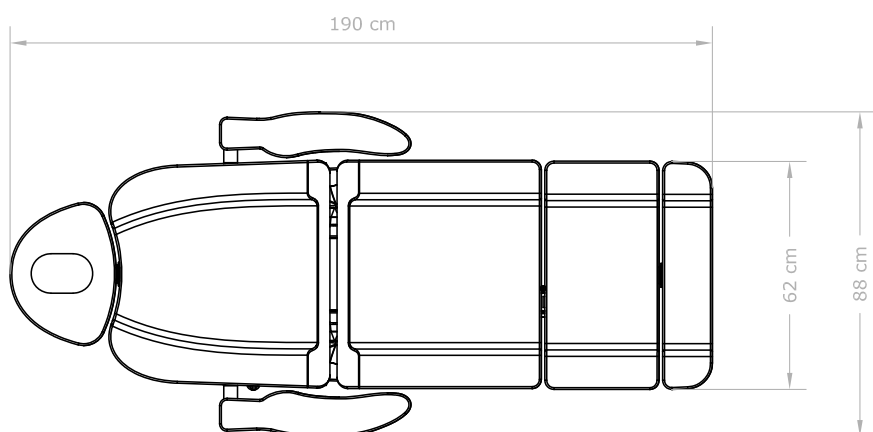
- Hand Controller
- Hole Headrest

## ACCESORIES



- NEB 4 Foot controller
- Bed Cover

→  
REF. HZ-3708A  
ELECTRIC BEAUTY BED



**KG** 200 kg  
max

