

→
REF. HZ-3872C
ELECTRIC BEAUTY BED



TECHNICAL FEATURES



Length:	179 cm
Width	
With armrest:	84,5 cm
Without armrest:	61 cm
Height:	61-91 cm
Weight:	70 kg
Max. Load:	200 kg
Motors:	4
Upholstery:	PU ○

CERTIFICATIONS



- 2014/30/EU Electromagnetic Compatibility
- 2014/35/EU Low Voltage Directive

MOTOR FUNCTIONS



- Height (flat position): 61-91 cm
- Trendelenburg (15° / max. height = 100 cm / min. height = 55 cm)
- Backrest 80° inclination
- Footrest 90° inclination

MANUAL FUNCTIONS



- Headrest inclination and ±18 cm extendable
- Footrest, ±18 cm extendable

INCLUDES



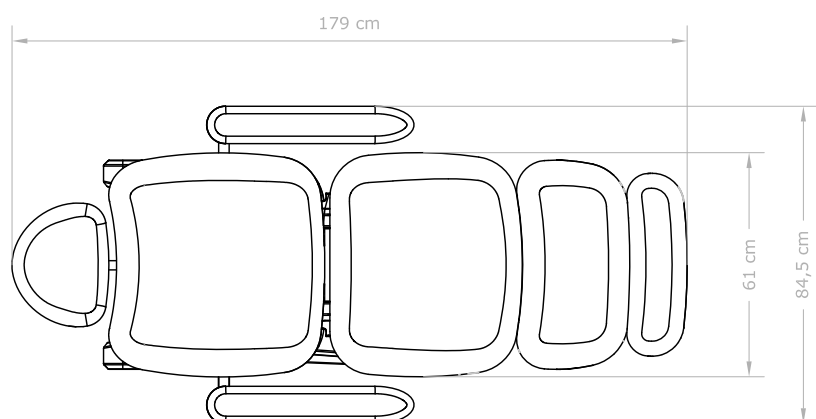
- Hand Controller
- 2 small wheels to facilitate its mobility

ACCESORIES



- IOT Hole Headrest
- NEB 4 Foot Controller
- Bed Cover

→
REF. HZ-3872C
ELECTRIC BEAUTY BED



KG 200 kg
max

